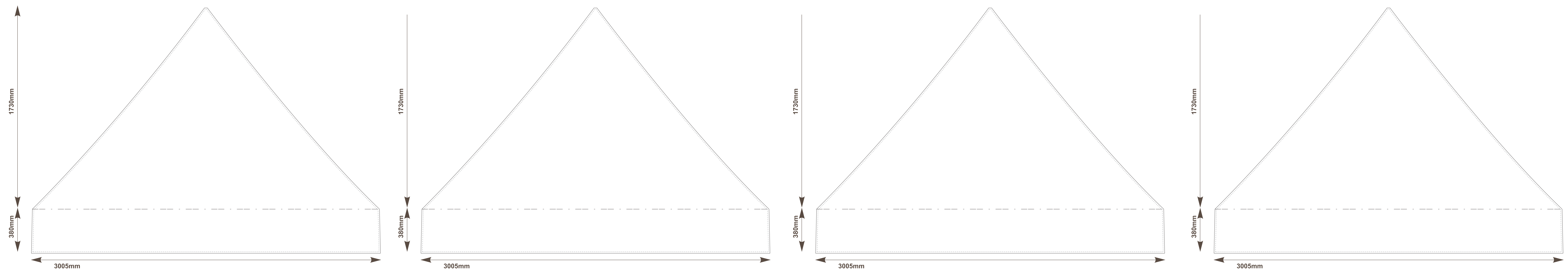
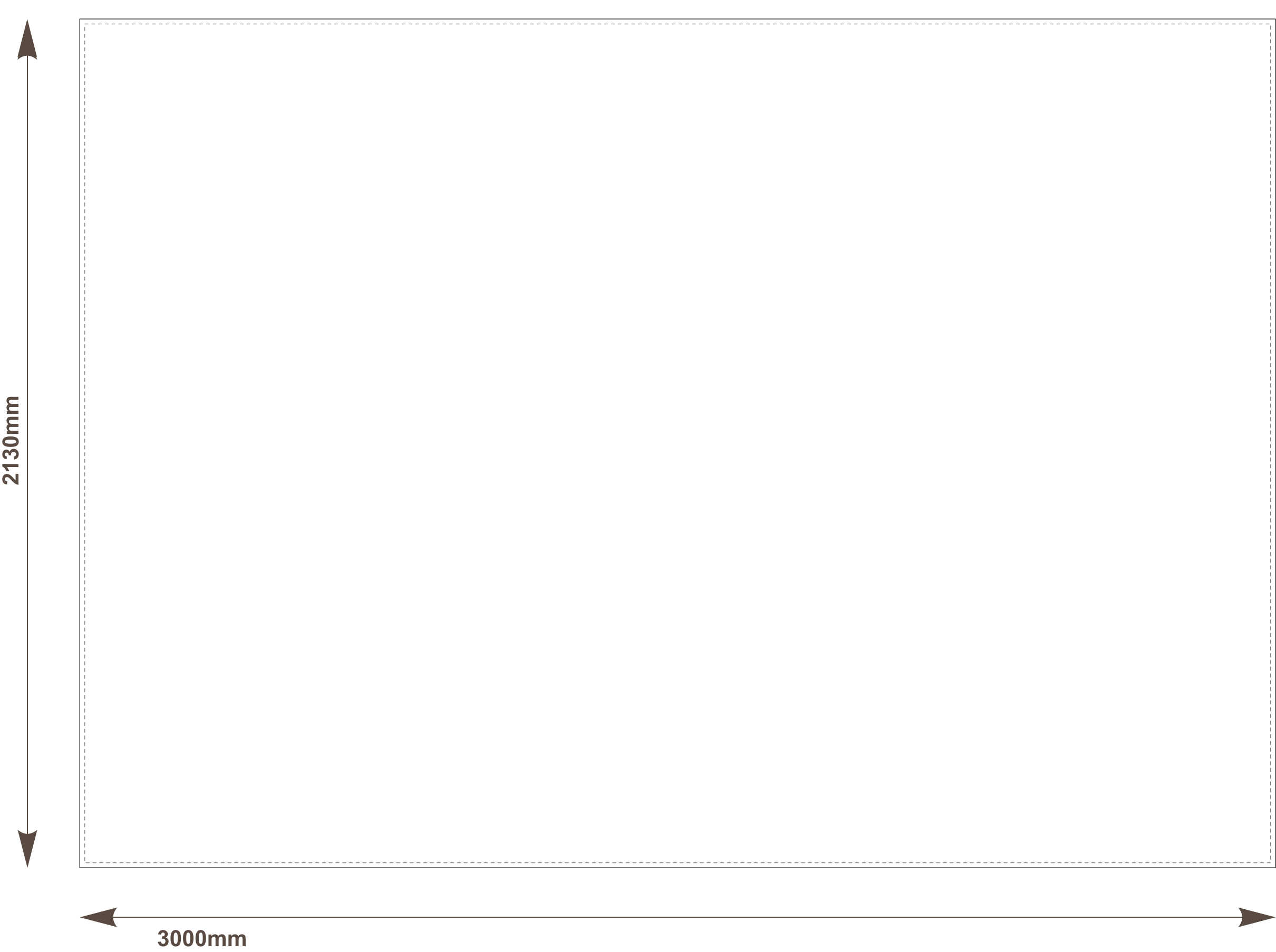


10x10 ft. Tent Template

ROOF & VALANCE PANELS



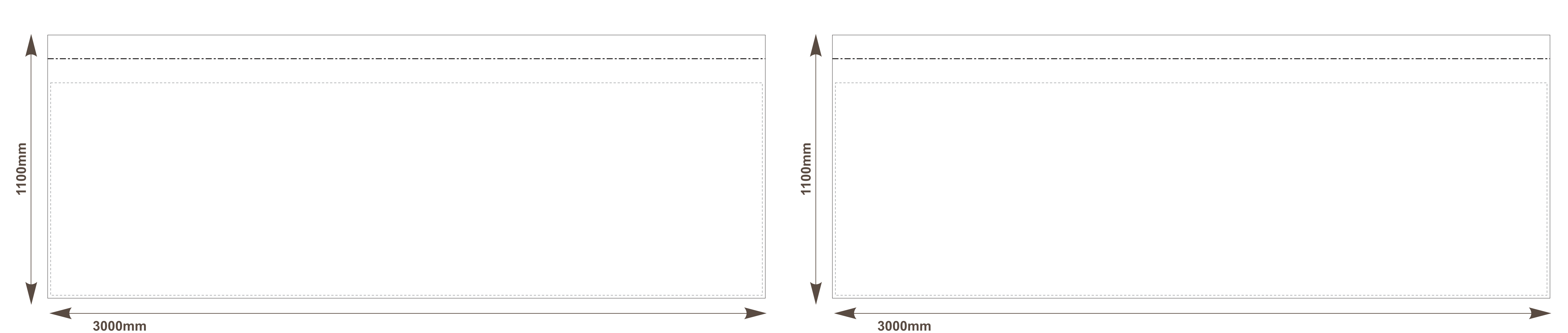
INSIDE FULL WALL



OUTSIDE FULL WALL



HALF WALLS



Note to Designers:

- All graphic files must be built at [150 dpi](#) at the overall graphic layout size.
- All graphic file must be created using [CMYK](#) mode to ensure the best color matching. If you would like a specific color matched, you **MUST** provide a [PMS](#) color or we cannot guarantee color matching.
- It is best to [flatten](#) all images and outline all text to ensure that nothing will drop out or change during file transfer.
- Be aware of Safe [Viewable Zone](#) and [Guides](#) that may cut your important elements off. Using guidelines will keep margins on your radar and prevent mistakes.
- The "[Bleed Zone](#)" are hidden inside the hardware. However, it is **STRONGLY** recommended that you [extend](#) your background graphics to the edges of artboard to ensure proper bleed with no visible unprinted areas.